

# BACKPAX™ SERIES

## OT-4NX BACKPACK



### POLY BACKPACK WITH BRASS HAND PUMP

The all-new **WATERAX OT-4NX** is a modernized poly backpack pump that was conceived with the comfort and safety of the user in mind. The tank is made of lightweight yet rugged UV-resistant polyethylene making it easier to carry without compromising on durability. Ergonomics can be felt through the sleek contours of the tank, the integrated lumbar support, and the comfortable shoulder straps. The robust carrying handle makes for easy lifting and also serves as a port where the hand pump can be neatly docked. The large diameter filler neck allows convenient filling, cleaning access, and features a filler strainer to capture and prevent unwanted particles from entering the hand pump's water supply.

Comfort and ergonomics also found their way into the all-new brass hand pump design that features a forward grooved hand grip, a robust D-ring for clipping to the shoulder straps, and a rear pistol grip that makes operating the hand pump easier on the wrist and requires less effort than standard hand pumps. It is easy to maintain and is field-reparable. It features a locking mechanism to prevent drag, extension by gravity, and water loss through drip. The combination tip allows for quick change from spray to straight stream without any tools. The all-new **OT-4NX** provides performance, comfort, and the quality that only **WATERAX** products can deliver.

#### Applications

- Hot spotting
- Mop-up
- Prescribed burn operations
- Campsite protection
- Industrial operations

#### Features and Benefits

##### Tank

- Made of UV and corrosion resistant polyethylene
- Integrated lumbar support
- Durable brass elbow fitting for hose connection to tank
- Carry handle also functions as storage for the pump
- Comfortable and ergonomic
- Comfortable shoulder straps
- Delivered assembled
- Water level indicators (US Gallons & Liters)

##### Hand Pump

- All brass & stainless steel construction
- Sturdy and ergonomic nylon rear pistol grip
- Grooved forward rubber grip
- Dual nozzle allows for quick switch from stream to spray
- Field reparable
- Locking feature
- D-ring for clipping to shoulder straps
- Ambidextrous

## OT-4NX Poly Backpack with Brass Hand Pump

A modernized poly backpack pump that delivers firefighting capabilities while providing comfort and safety through its ergonomic design.



Interchangeable tip



Sturdy pistol grip



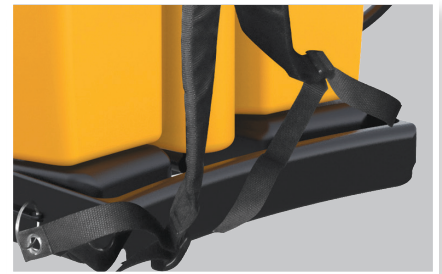
Vented chained cap



Solid Brass elbow

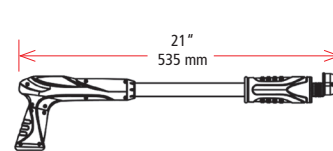
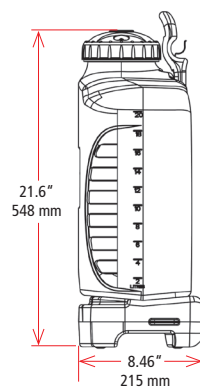
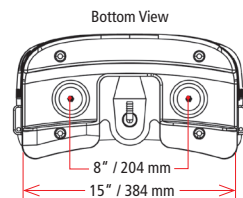
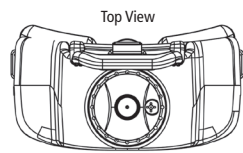
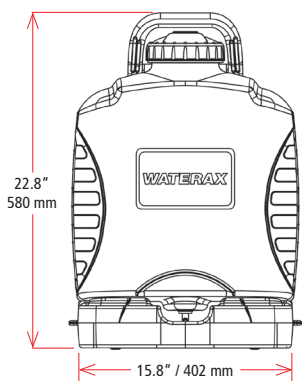


Grooved rubber hand grip



Integrated lumbar support

Height 22.8" (580 mm)    Capacity 5.3 US gal (20 L)    Depth 8.46" (215 mm)  
Dry Weight 8.5 lbs (3.8 kg)    Width 15.8" (402 mm)    Wet Weight 52.6 lbs (23.9 kg)





**WATERAX Inc.**  
6635 Henri-Bourassa W.  
Montreal, QC H4R 1E1

**TF 855-616-1818**

**T** 514-637-1818

**F** 514-637-3985

info@waterax.com  
www.waterax.com

Distributed by:

All information contained in this document including drawings is proprietary to *WATERAX* and may not be copied, reproduced or used in whole or in part without our prior written permission. The information in this document is subject to change without notice. Model displayed with multiple options. Weight and dimensions are approximated and may vary depending on options.